



# Owner Manual

ATV Grass Flail Mower  
G-AFL120



## **Congratulations on the purchase of your new attachment!**

Before you get started, we have provided a helpful space to jot down a few important details:

**Model number: G-AFL120**

**Serial number:**

**Date of purchase:**

**Factory reference: AT120**

This manual should be considered a permanent part of this attachment and therefore should remain with it even if the attachment is subsequently sold.

The manufacturer continually seeks advancements in its product design and quality. Therefore, while this manual contains the most current product information available at the time of printing, there may be minor discrepancies between your attachment and this manual.

If you have any questions concerning this manual, please consult your local dealer.

**IMPORTANT: Read all instructions before using this attachment**

## Safety Information

**Before installation/maintenance, ensure vehicle and mower are stationary and the ignition key removed. Read and understand this manual before operating any machinery to avoid equipment damage. Failure to follow all safety standards can result in severe injury or death.**

1. Regularly check condition and service of your mower.
2. Regularly check/tighten all bolts, nuts and screws.
3. Never consume alcohol/drugs while operating machinery.
4. Only use for the indicated purpose. Do not use to transport personnel or livestock.
5. The engine must be stopped and the blades at a standstill, before adjusting the mower to the transport position (raising the deck to the highest position).
6. Always wear protective gloves, ear and eye protection and tie back long hair. Do not wear loose clothing.
7. Check the cutting area is clear of debris that can cause damage.
8. Keep spectators at a safe distance.
9. Do not run the engine in an enclosed area.
10. Do not leave any machinery unattended while operating.
11. Do not touch moving parts. Keep hands and feet away from rotating blades.
12. Stop the engine immediately if excessive vibration occurs.
13. Ensure the engine is switched off before any maintenance. Be aware components can be hot after operation.
14. Pay attention to any sharp/pointed parts when servicing.
15. Always repair/replace any defective parts.
16. Do not modify the mower in any way as this may impair the operation and overall safety.
17. Ensure all safety guards are in place and in good condition.
18. Keep all safety signs clean and legible. Replace missing/illegible signs.

## Safety Information (continued)

### Mower Pre-Use Checks

Upon receipt of your new mower and again within the first 4 hours of use (the 'shake in' period), we recommend the following:

1. Ensure the immediate area/ground is clear of debris.
2. Remove all packaging materials including wire bands/tape.
3. Check/tighten all bolts, nuts and screws (and those securing blades).
4. Check the tension of any belt (s), and adjust if required.
5. Apply grease to grease points if required.
6. Check engine oil level, top-up if required but do not overfill.
7. Check fuel in tank and tyre pressures.

### Vehicle Pre-Use Checks

1. Check the mower is properly attached to the vehicle and ball hitch is secure.
2. Before installing, the vehicle and mower should be stationary, remove the key from the ignition.
3. Install and secure all safety guards, doors and covers before operating.
4. Bystanders should leave the immediate area before connecting the drive from the vehicle.

### Post-Use Regular Checks

**Safety precaution: Be aware components can be hot after operation. Allow drive belts/mower to cool before performing checks.**

1. Check blades, belts and wearing parts. Ensure they are not damaged and blades are secure in their mounts. Repair or replace as required.
2. Clean the attachment, and check for/clear any entangled material around any moving parts.
3. Check rotor and roller bearings, apply grease if required.




## Contents

Safety Information.....	page 3-4
Specifications.....	page 6
Drawbar Adjustment.....	page 7
Starting the Engine.....	page 8
Adjusting Roller & Side Skids .....	page 9
Parts Diagram 1.....	page 10
Parts List for Diagram 1.....	page 11-12
Parts Diagram 2.....	page 14
Parts List for Diagram 2.....	page 15

## Specifications

The ATV Flail Mower G-AFL model is perfect for cutting pasture and paddock areas, ideal for maintaining a variety of grasses around the smallholding. The mower has an independent petrol engine with tow hitch for pulling behind an ATV. Use at a walking speed for the best cut and finish.

Fitted with an easy to start engine, the G-AFL has been designed to cope with a wide range of conditions. It has an easy height adjustment and a full width anti-scalping roller to avoid damage to machine and sward.

Model	Width (cm)	Depth (cm)	Working Width (cm)			
G-AFL120	175	178	115	28	15hp	230

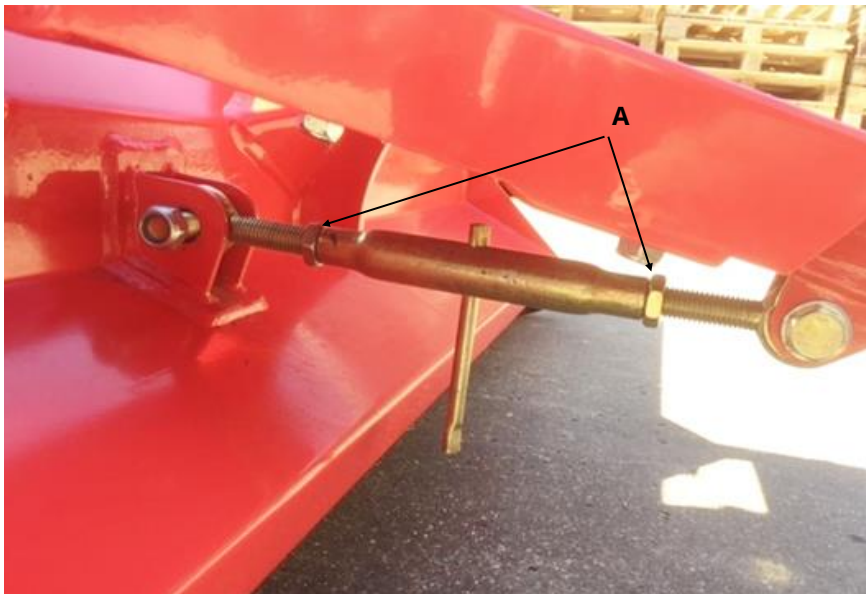
## Drawbar Adjustment

**Before installation/maintenance, the vehicle and mower should be stationary and the ignition key removed.**

Adjust the mower drawbar to allow the mower to run directly behind the towing vehicle.

The drawbar attachment height of the towing vehicle can vary. To accommodate adjustment, an adjustment arm is located beneath the drawbar. This should be lengthened or shortened so that the cutting deck is horizontal to level ground. This ensures a better finish.

Unlock the locking nuts (**A**), spin the arm to lengthen the link to lower the front of the deck, or shorten to raise the deck. Once the deck is level, re-tighten locking nuts.



## Starting the Engine

**Before installation/maintenance, the vehicle and mower should be stationary and the ignition key removed.**

Observe all safety precautions: Keep hands and feet away from rotor/moving parts. Keep spectators at a safe distance. Ensure there is a gap between the blades and the ground. Select an area clear of loose debris.

Set the engine choke and suitable idling speed with the throttle. Place one foot on top of the deck body for a firm and balanced position. Pull the starter cord firmly, allow the cord to return to the housing slowly (one or two strong pulls should start the engine). After a few seconds warming up at idling speed, move the throttle to the factory pre-set working position (see the Engine Owner Manual for full operating instructions)

**NOTE: If the throttle is altered to increase the engine rpm beyond the recommended level, the guarantee may become invalid. This may also cause cutting inefficiency, excessive vibration and an increase in fuel consumption.**

Simply hitch up the mower and turn the ignition key to start the mower.

The amount of grass/weeds dictates the forward speed. In most cases, slow forward speeds give better results; 1 mph = very heavy use, 6 mph = very light use. Start off in the slowest speed possible, ensure the mower is working efficiently with the engine set at maximum rpm and not labouring. If this is not possible due to very heavy cutting conditions, raise cutting height of blades and be prepared to go over twice with the machine set lower on the second pass. Leave 24 hours in-between first and second cut to allow grass to dry out. Always listen to the engine to ensure both engine and mower are working efficiently, slow down or stop once the engine starts to labour.

**Failure to do all of the above will result in clutch slip and ultimately severe damage to the clutch and drive belts.**

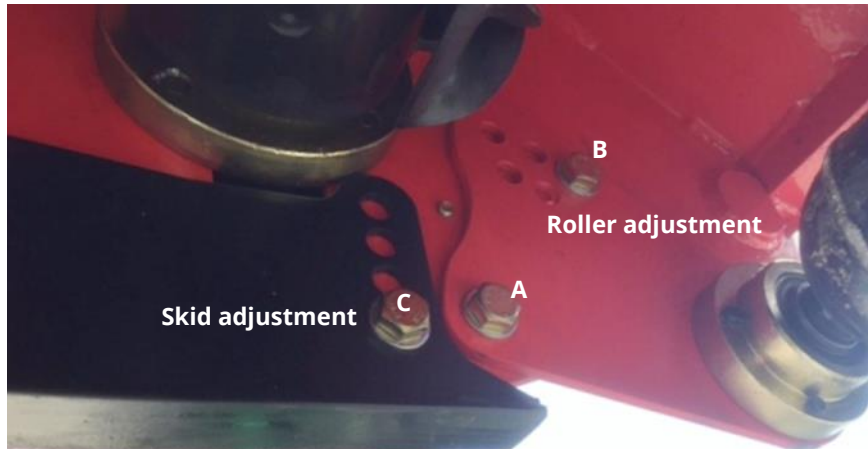


## Adjusting Roller & Side Skids

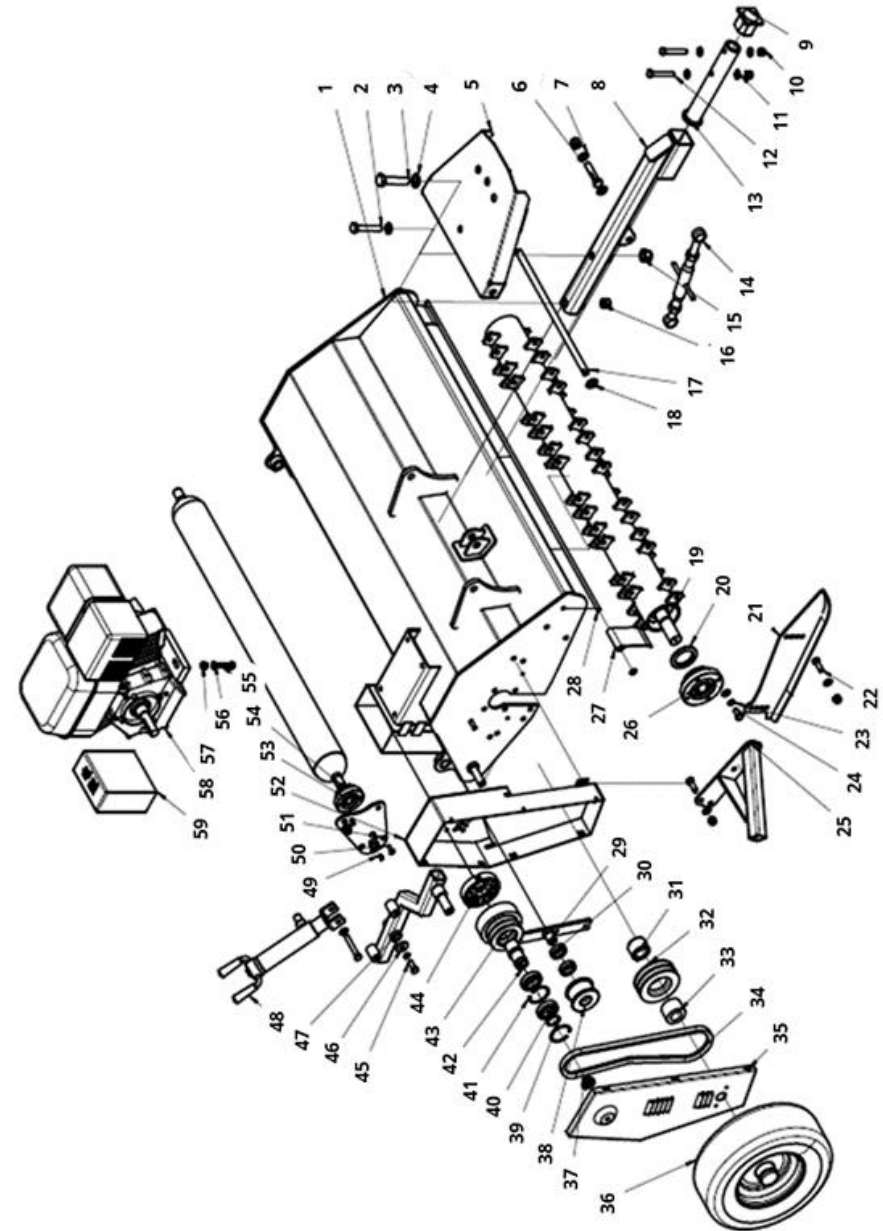
On uneven ground, if a wheel drops into a hole, the roller takes the weight of the mower to stop the flails scalping the ground. The roller allows the wheel to hang over the kerb edge, so kerb side grass can be cut without difficulty. The factory pre-set position of the roller and side skids are suitable for most situations. If used regularly on heavy grass however, the roller and side skids should be lowered to increase the clearance between the flail and the ground. If the mower is used as a 'finishing mower', the roller can be adjusted to give the required cutting height:

### To adjust the roller and skids (repeat for both ends):

1. Slacken pivot bolt 'A'.
2. Slacken and remove bolt 'B'.
3. Move the bracket and select another hole and replace bolt 'B'.
4. Tighten bolts 'A' and 'B'.
5. Remove the bolt at the front of the skid and the rear of the skid 'C'.
6. Select new setting, replace the bolts and tighten. Ensure both skids are set the same and parallel.



## Parts Diagram 1



### Parts List for Diagram 1

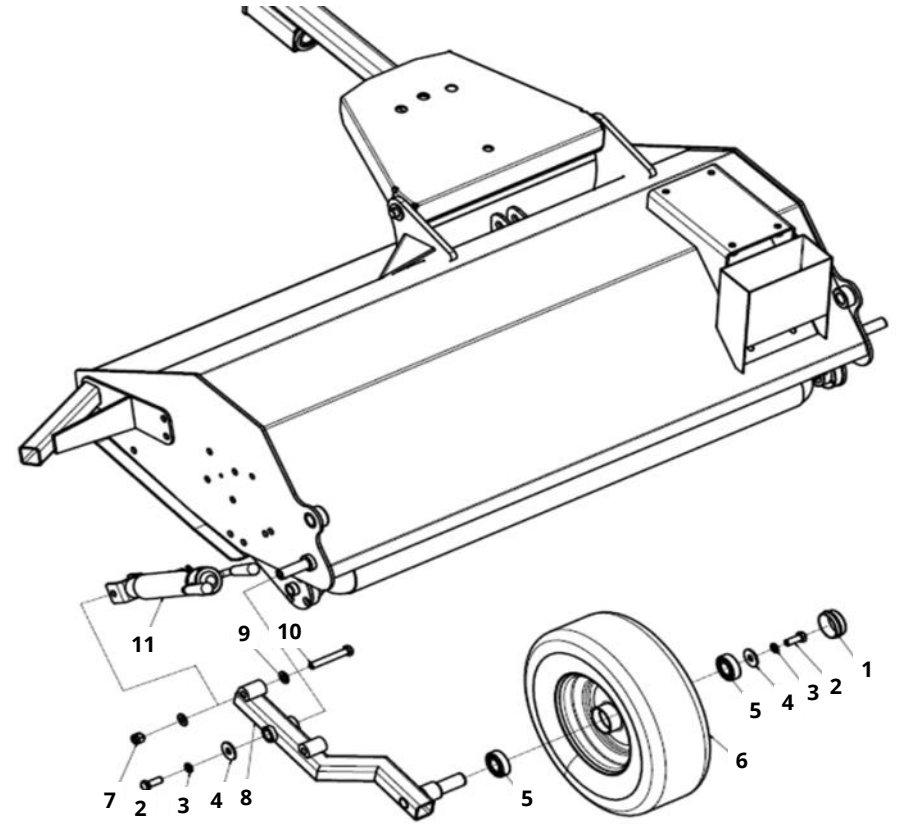
Diag. No	Part No	Description	Qty
1	AT120-019	Mower deck welding	1
2	GB/T 5782	Bolt M16x90	1
3	GB/T 5782	Bolt M20x90	1
4	GB/T 97.1	Flat washer 20	2
5	AT120-016A	Traction connection arm	1
6	GB/T 5782	Bolt M16x70	2
7	GB/T 97.1	Flat washer 16	6
8	AT120-016	Traction connection arm1	2
9		Plastic cover	2
10	GB/T 889.1	Lock nut M12	18
11	GB/T 97.1	Flat washer 12	44
12	GB/T 5782	Bolt M12x80	4
13	AT120-017	Connection tube weldment	3
14		Adjusting bar assembling	1
15	GB/T 889.1	Lock nut M20	1
16	GB/T 889.1	Lock nut M16	1
17	AT120-102	Shaft	3
18	GB/T 97.1	Flat washer	2
19	AT120-026	Flail axle weldment	1
20	GB 13871-92	Oil seal 55x80x8	1
21	AT120-023	Skids weldment	1
22	GB/T 5783	Bolt M12x35	14
23	GB-93-87	Washer M12x25	11
24	GB/T 5783	Bolt M12x25	8
25	AT120-022	Triangle wheel protection weldment	2
26		Rotor bearing UC207	2
27	EFGC175-108	Fender	2
28	AT120-121	Shaft for fender	1
29	AT120-027	Tension roller connection	1

### Parts List for Diagram 1 (Continued)

Diag. No	Part No	Description	Qty
30	GB/T 276-94	Bearing 6005-2RS	2
31	AT120-106	Bushing	1
32	AT120-108	Lower pulley	1
33		Power lock	1
34	BX41.5	V belt	2
35		Pulley cover	1
36		Wheel assembly	2
37	AT120-110	Up pulley mounting parts	1
38	AT120-111	Tension roller	1
39	GB 893.1-86	Bead flange 35	1
40	GB/T 276-94	Bearing 6007-2RS	2
41	GB 893.1-86	Bead flange 62	2
42	AT120-119	Connection shaft for clutch	1
43	AT120-109	Top pulley	1
44		Clutch	1
45	GB/T 5783	Bolt M12x30	3
46	GB/T 96.1	Bigger washer 12	3
47	AT120-021	Wheel arm (Right or Left)	2
48	AT120-015	Adjusting bar for cutting height	2
49	GB/T 1182	Grease nipple M16	2
50	GB/T 70.3-2000	Within six angles m8x25	8
51	AT120-011	Rear roller adjusting weldment plate	1
52	AT120-222	Pulley cover weldment	1
53		Roller bearing UC205	2
54	AT120-025	Rear roller weldment	1
55	GB/T 5783	Bolt M10x45	2
56	GB/T 97.1	Flat washer 10	7
57	GB/T 889.1	Lock nut M10	2
58		Engine JF420E	1
59		12v battery	1

Notes

Parts Diagram 2



## Parts List for Diagram 2

Diag.	Part No	Part Description	Qty
1	AT120-114	Wheel cap	2
2	GB/T 5783	Bolt M12x30	4
3	GB 93-87	Spring Washer 12	4
4	GB/T 96.1	Flat gasket12	4
5	GB/T 276-1994	Bearing 6205-2RS	4
6		Wheel assembly	2
7	GB/T 889.1	Lock nut M12	2
8	AT120-021	Wheel arm (Right or Left)	2
9	GB/T 97.1	Flat gasket 12	4
10	GB/T 5782	Bolt M12x80	2
11	AT120-015	Adjusting bar assembling	2



Published: August 2021